

DH10

Round Double "D" Pull Handle

Technical Details

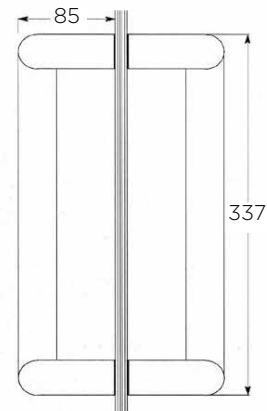
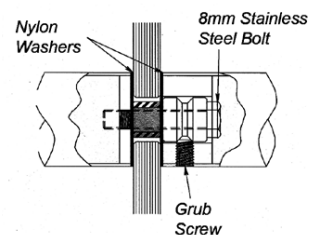
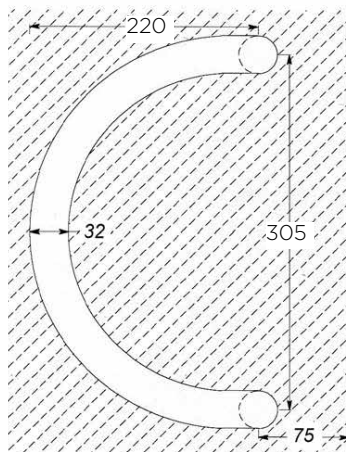
- 305mm O/A centre to centre clearance
- 32mm diameter
- Manufactured from 304 Grade tubular stainless steel
- Comes complete with accessories for glass
- Suits 8mm to 15mm thick glass

Available Finishes

- Polished stainless steel
- Satin stainless steel

Specify at time of order

- Finish required



DH20



Round Double "D" Pull Handle

Technical Details

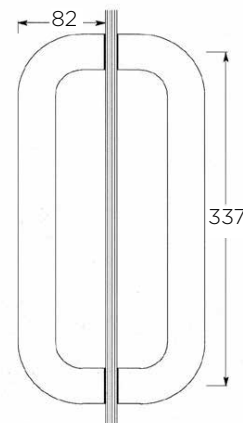
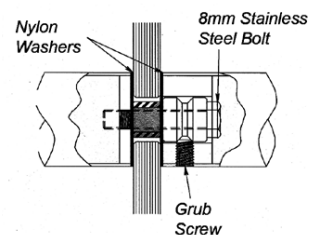
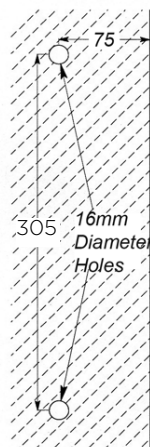
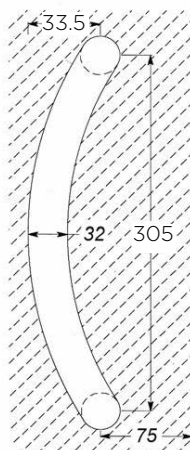
- 305mm O/A centre to centre clearance
- 32mm diameter
- Manufactured from 304 Grade tubular stainless steel
- Comes complete with accessories for glass
- Suits 8mm to 15mm thick glass

Available Finishes

- Polished stainless steel
- Satin stainless steel

Specify at time of order

- Finish required



DH30

Wave Style Double Square Pull Handle



Technical Details

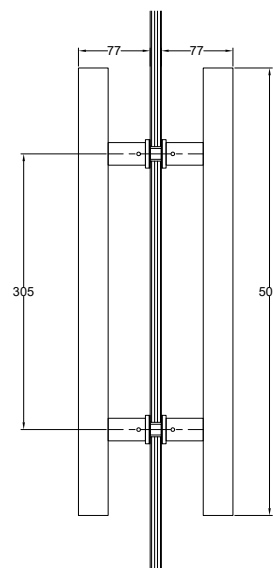
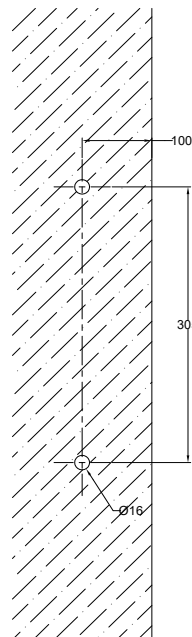
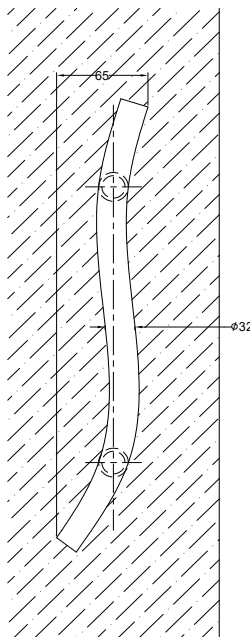
- 500mm overall length
- 305mm centre to centre
- 32mm square profile
- Manufactured from 304 Grade tubular stainless steel
- Comes complete with accessories for glass
- Suits 8mm to 15mm thick glass

Available Finishes

- Polished stainless steel
- Satin stainless steel

Specify at time of order

- Finish required



DH40



Offset Back to Back "D" Pull Handle

Technical Details

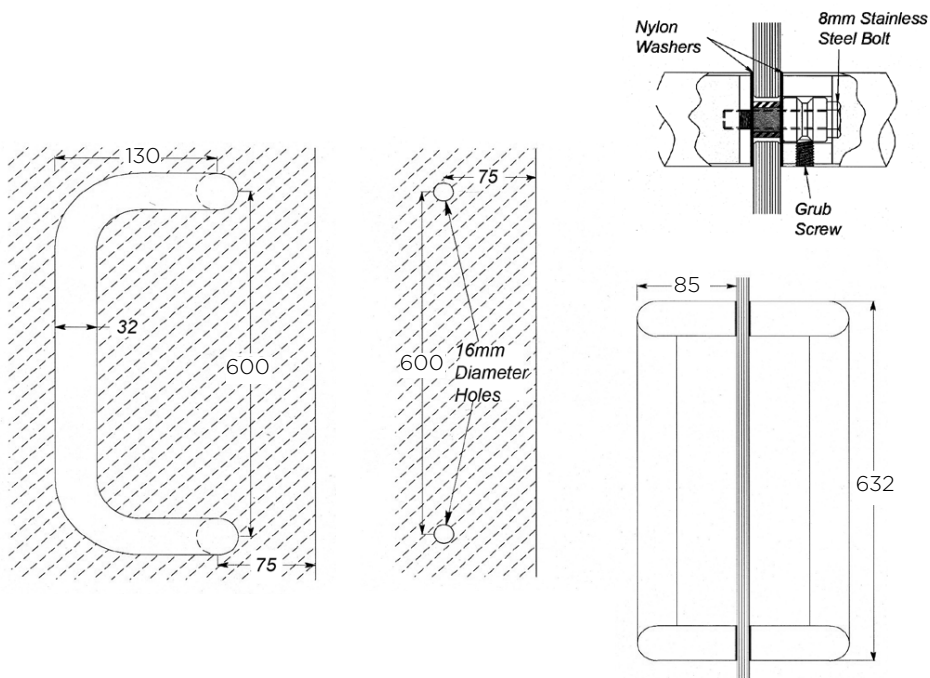
- 600mm O/A centre to centre clearance
- 32mm diameter
- Manufactured from 304 Grade tubular stainless steel
- Comes complete with accessories for glass
- Suits 8mm to 15mm thick glass

Available Finishes

- Polished stainless steel
- Satin stainless steel

Specify at time of order

- Finish required



DH50

H Style Round Profile Pull Handle

Technical Details

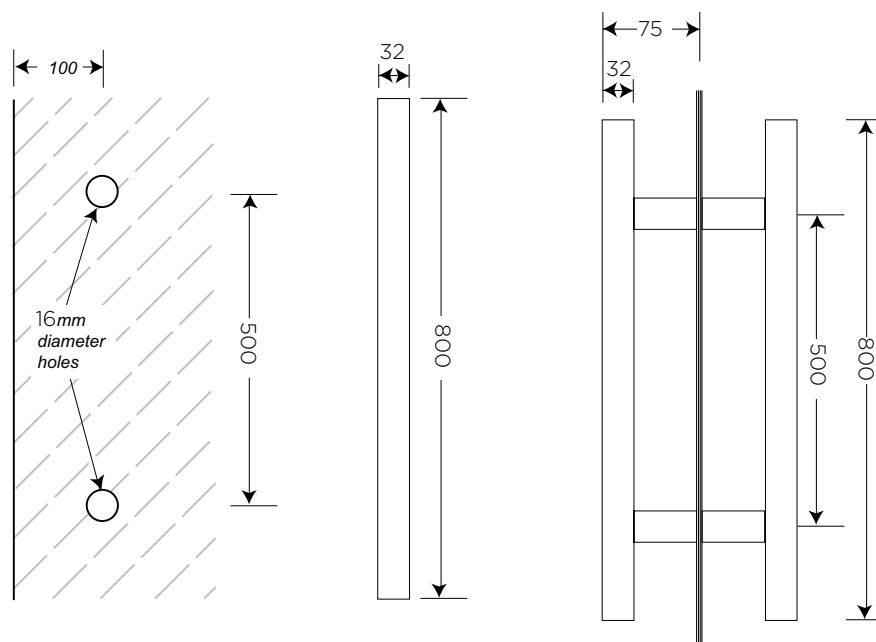
- 800mm overall length
- 500mm centre to centre
- 32mm diameter
- Manufactured from 304 Grade tubular stainless steel
- Comes complete with accessories for glass
- Suits 8mm to 15mm thick glass

Available Finishes

- Polished stainless steel
- Satin stainless steel

Specify at time of order

- Finish required



DH60

D Shape Square Profile Pull Handle

Technical Details

- 900mm overall length
- 25x38mm rectangle profile
- Manufactured from 304 Grade tubular stainless steel
- Comes complete with accessories for glass
- Suits 8mm to 15mm thick glass

Available Finishes

- Polished stainless steel
- Satin stainless steel

Specify at time of order

- Finish required

